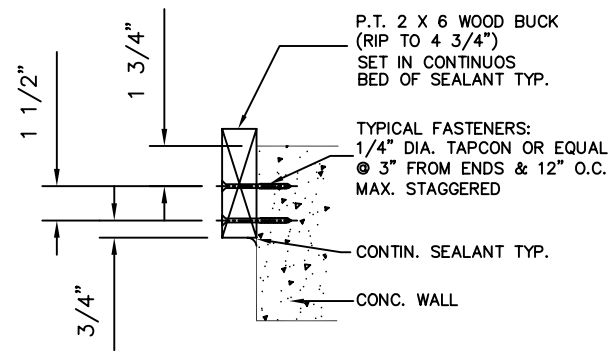
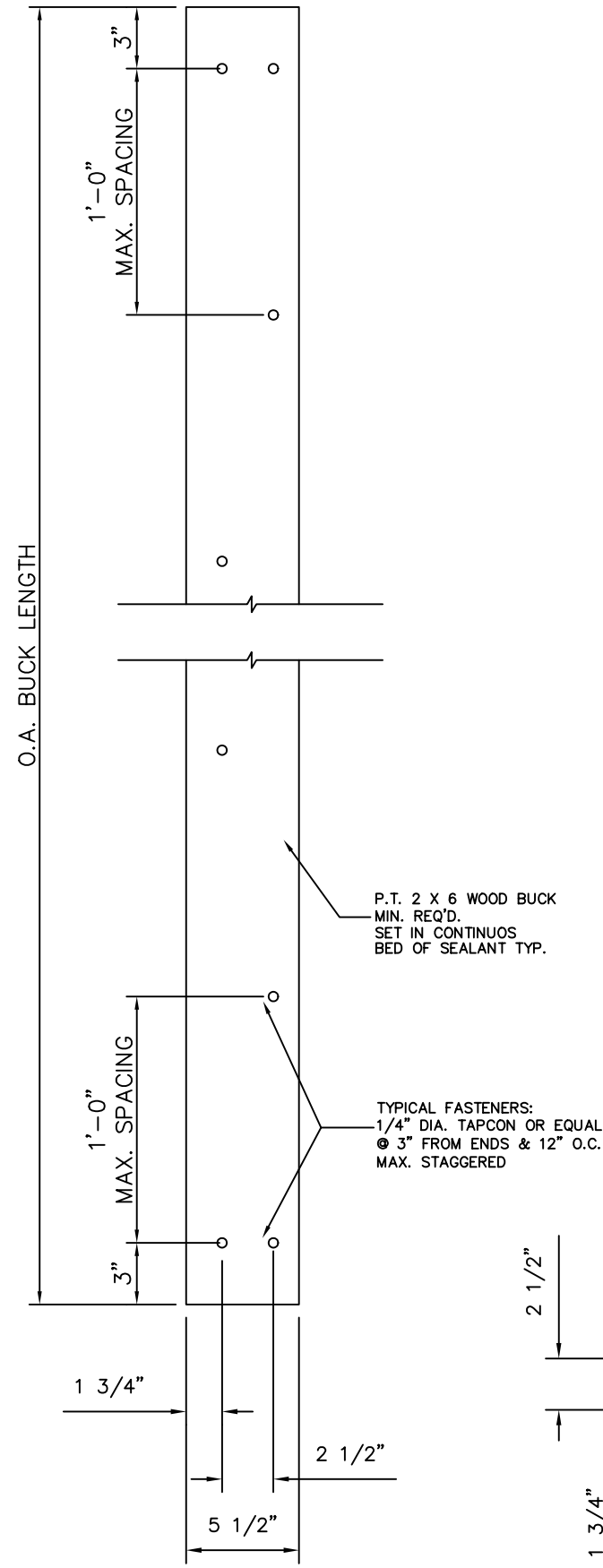


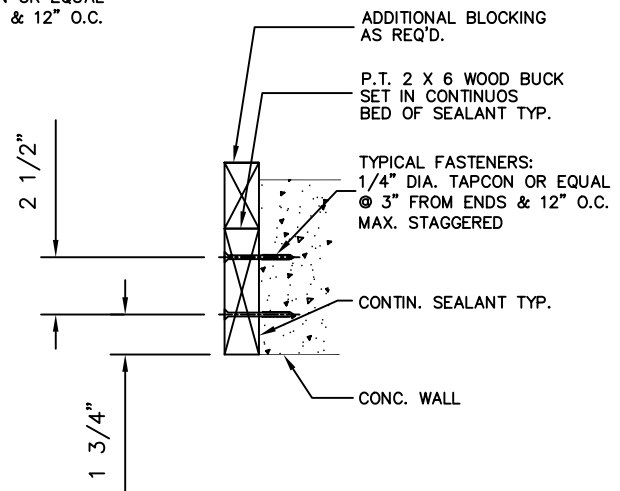
DETAIL "A" - TYPICAL BUCK
INSTALLATION FOR 5 1/4" JAMBS (SIDE VIEW)
2 X 6 WOOD BUCK (RIP TO 4 3/4")
FASTENING DETAIL



DETAIL "B" - TYPICAL BUCK
INSTALLATION FOR 5 1/4" JAMBS (CROSS SECTION)
2 X 6 WOOD BUCK (RIP TO 4 3/4")
FASTENING DETAIL



DETAIL "A" - TYPICAL BUCK
INSTALLATION FOR 5 1/4" JAMBS (SIDE VIEW)
2 X 6 WOOD BUCK
FASTENING DETAIL



DETAIL "B" - TYPICAL BUCK
INSTALLATION FOR 5 1/4" JAMBS (CROSS SECTION)
2 X 6 WOOD BUCK
FASTENING DETAIL

DRAWING TITLE		NO.	REVISION DESCRIPTION	BY	DATE
WOOD ENTRY DOORS					
PROJECT:		TYPICAL BUCK INSTALLATION DETAILS			
LAG DESIGN		INDUSTRIAL MILLWORK CORP			
WEST H/WAY 36 SENECA, KS 66538		(800)462-3667			
CERTIFICATION					
DATE:		02/28/05			
DRAWING NO:		CATALOG DET			
SHEET NO:		4 OF 4			