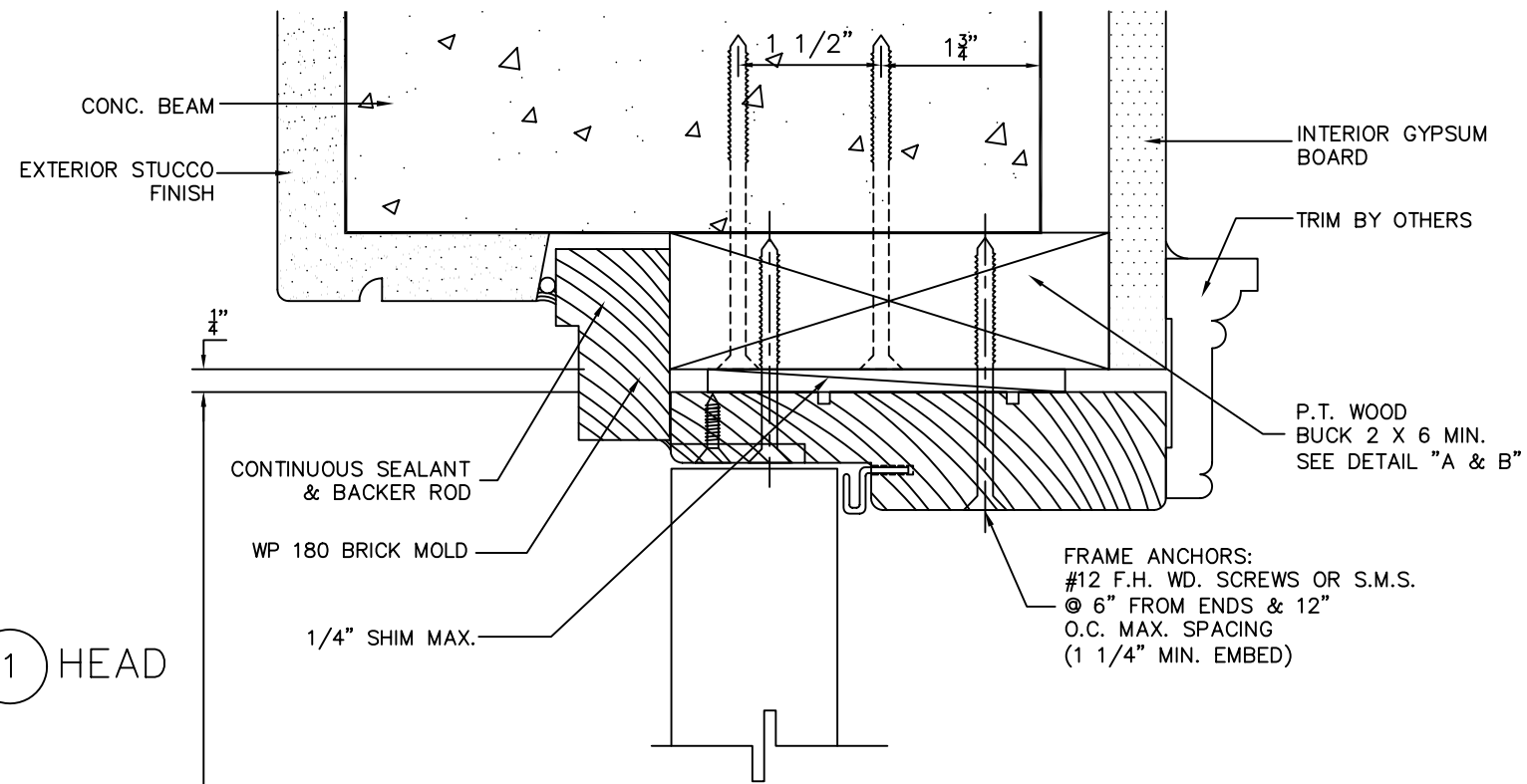
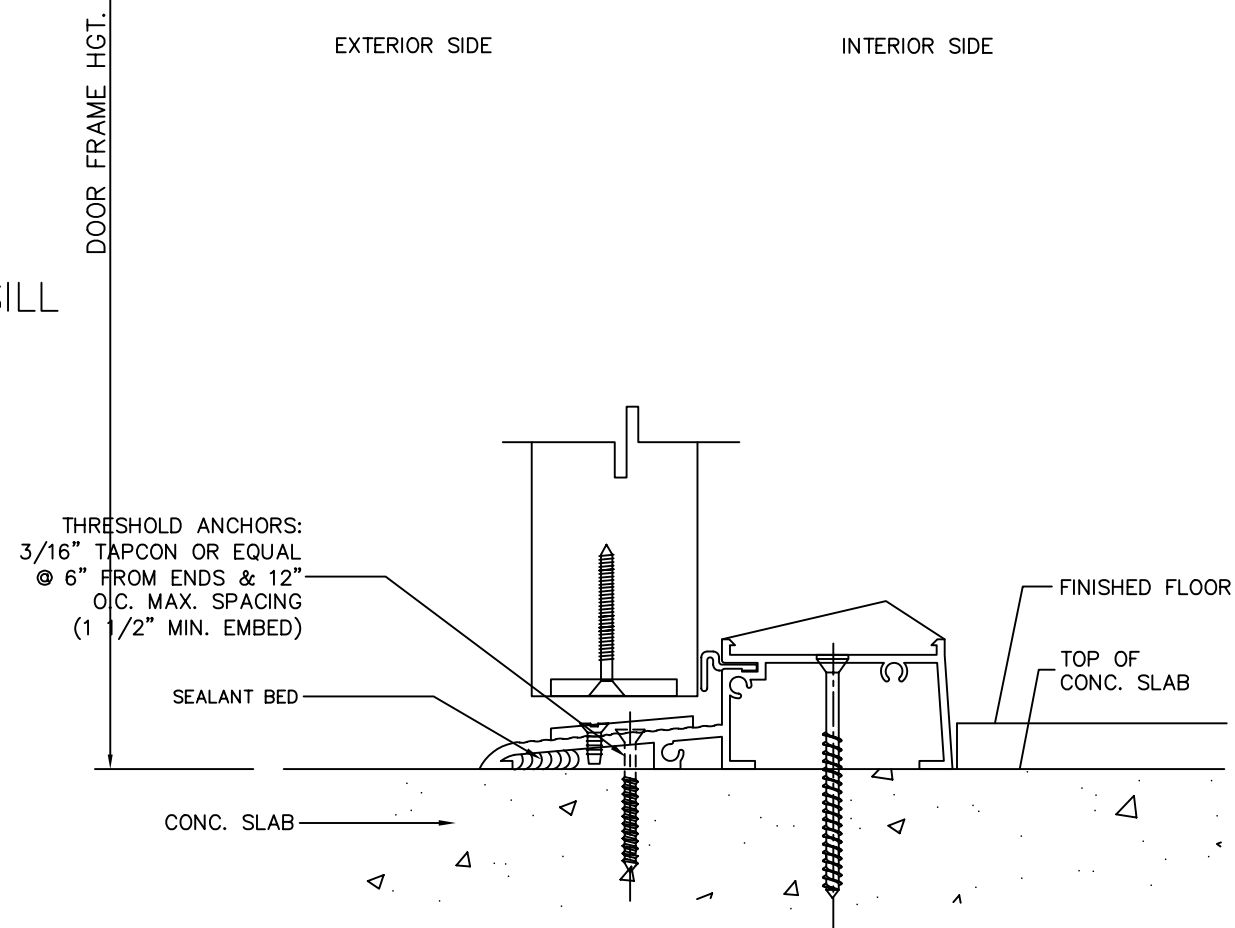


1 HEAD



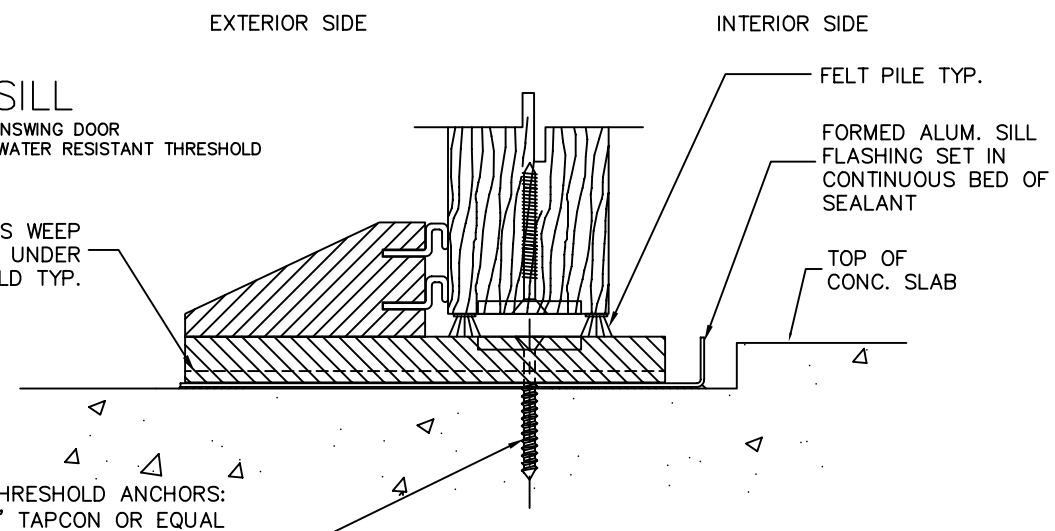
2 SILL



3B SILL  
IN SWING DOOR  
WATER RESISTANT THRESHOLD

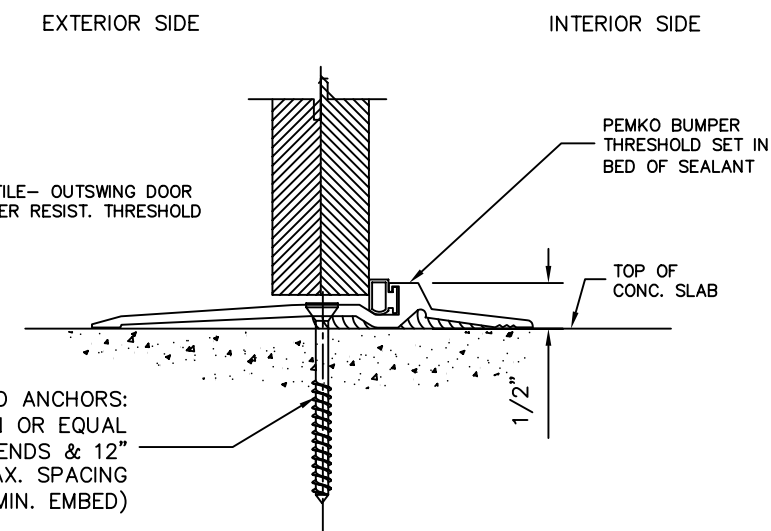
INDICATES WEEP HOLES UNDER THRESHOLD TYP.

THRESHOLD ANCHORS:  
3/16" TAPCON OR EQUAL  
@ 6" FROM ENDS & 12" O.C. MAX. SPACING  
(1 3/4" MIN. EMBED)



3A SILL  
LOW PROFILE- OUTSWING DOOR  
NON-WATER RESIST. THRESHOLD

THRESHOLD ANCHORS:  
3/16" TAPCON OR EQUAL  
@ 6" FROM ENDS & 12" O.C. MAX. SPACING  
(1 3/4" MIN. EMBED)

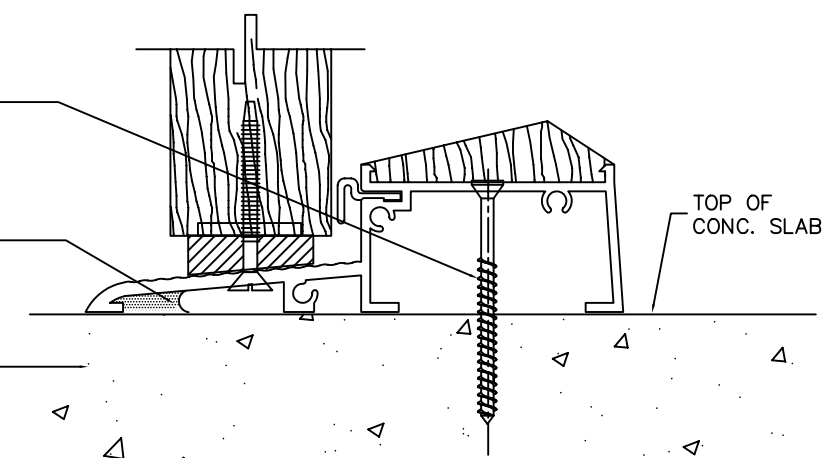


3 SILL  
WATER RESISTANT THRESHOLD

THRESHOLD ANCHORS:  
3/16" TAPCON OR EQUAL  
@ 6" FROM ENDS & 12" O.C. MAX. SPACING  
(1 3/4" MIN. EMBED)

SEALANT BED

CONC. SLAB



NO.	REVISION DESCRIPTION	BY	DATE
DRAWING TITLE WOOD ENTRY DOORS		PROJECT: TYPICAL INSTALLATION DETAILS	
LAG DESIGN INDUSTRIAL MILLWORK CORP WEST H/WAY 36 SENECA, KS 66538 (800)462-3667		CERTIFICATION	
DATE: 02/28/05		DRAWING NO: CATALOG DET	
SHEET NO: 1 OF 4			