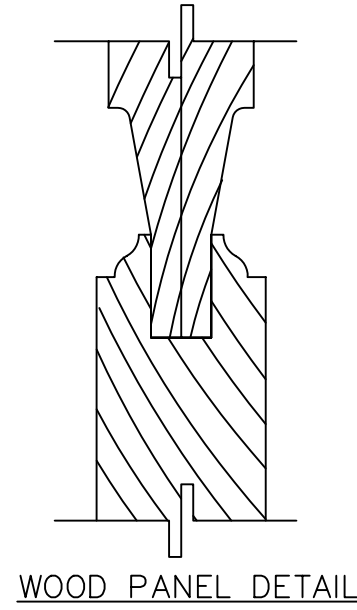
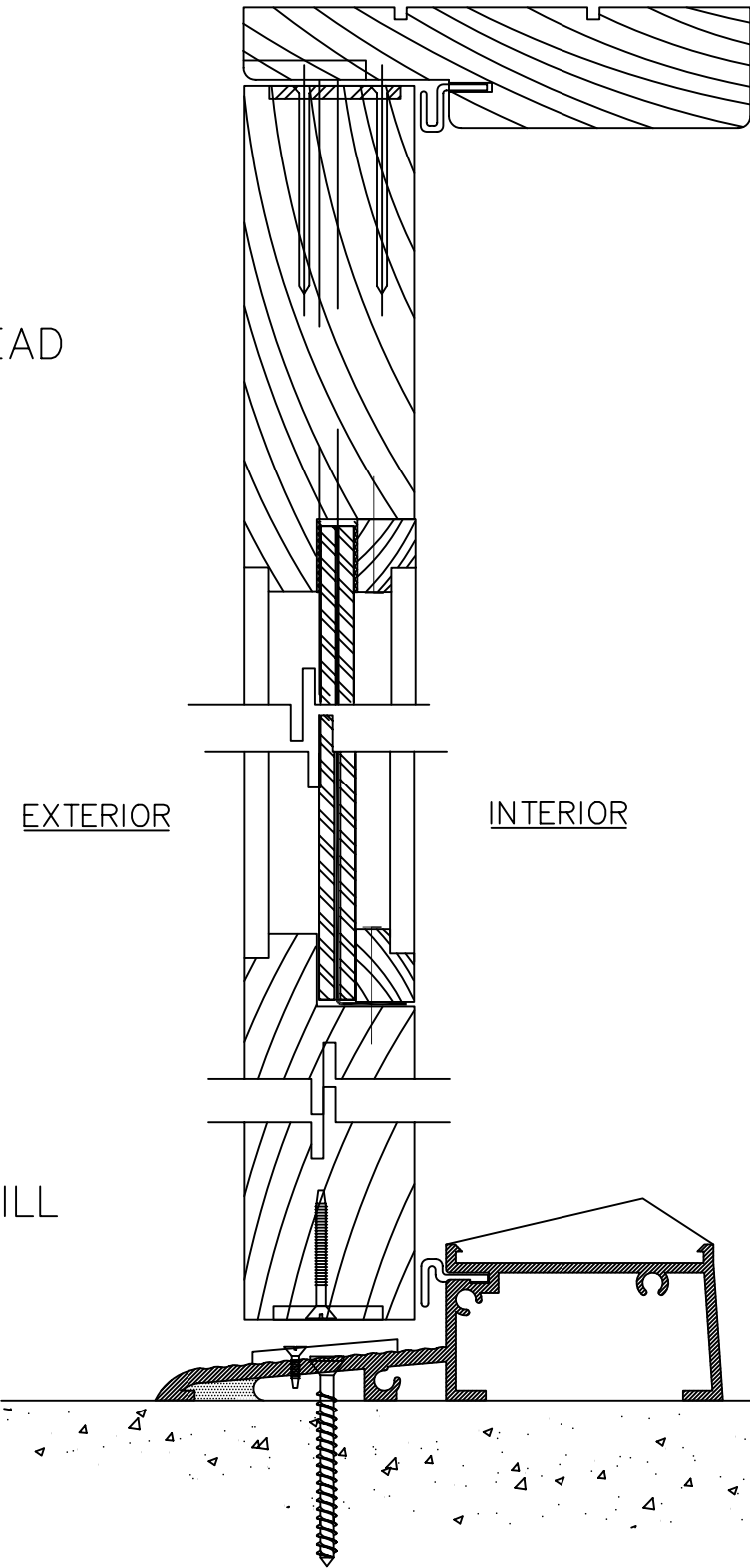
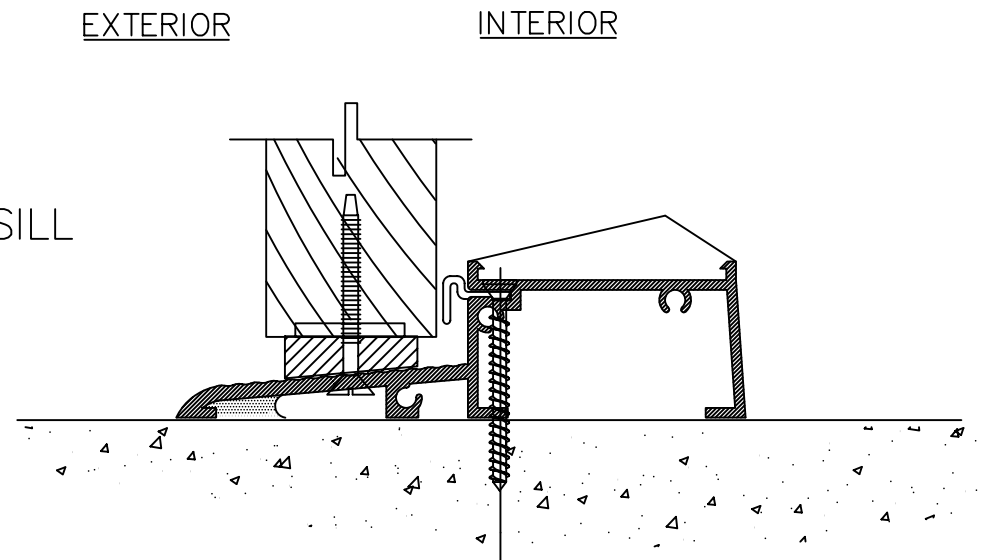


1 HEAD



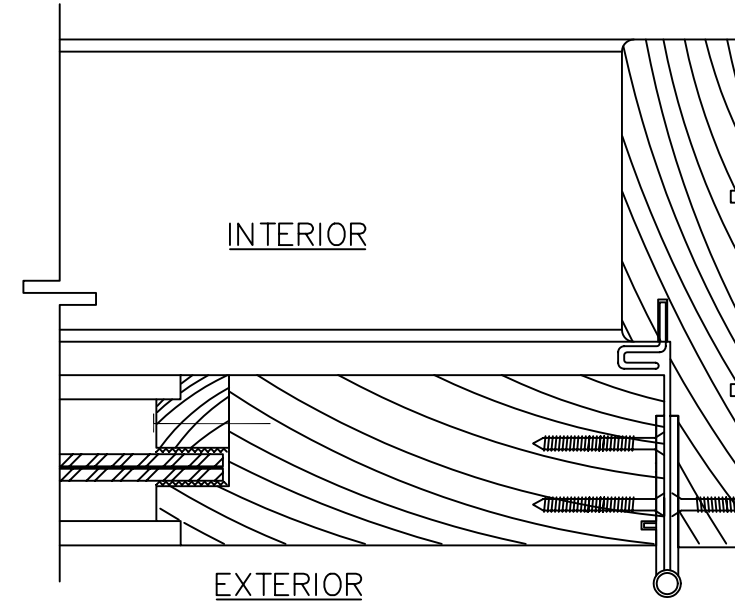
3 SILL



INTERIOR

EXTERIOR

4 JAMB



TO P.T.

NO.	REVISION DESCRIPTION	BY	DATE

DRAWING TITLE STORM LINE WOOD ENTRY DOORS	MANUFACTURER LAG DESIGN INDUSTRIAL MILLWORK CORP WEST HWAY 36 SENECA, KS 66538 (800)462-3667
BROMLEY - COOK ENGINEERING, INC. CONSULTING ENGINEERS 2004 N.E. 48th STREET FORT LAUDERDALE, FL 33308 PHONE: (954) 772-4624 FAX: (954) 772-4634	
CERTIFICATION	WILLIAM D. COOK, P.E. FLA. P.E. NO. 43904
DATE: 2/28/05	
DRAWING NO: LAG-SL	
SHEET NO: 2 OF 3	